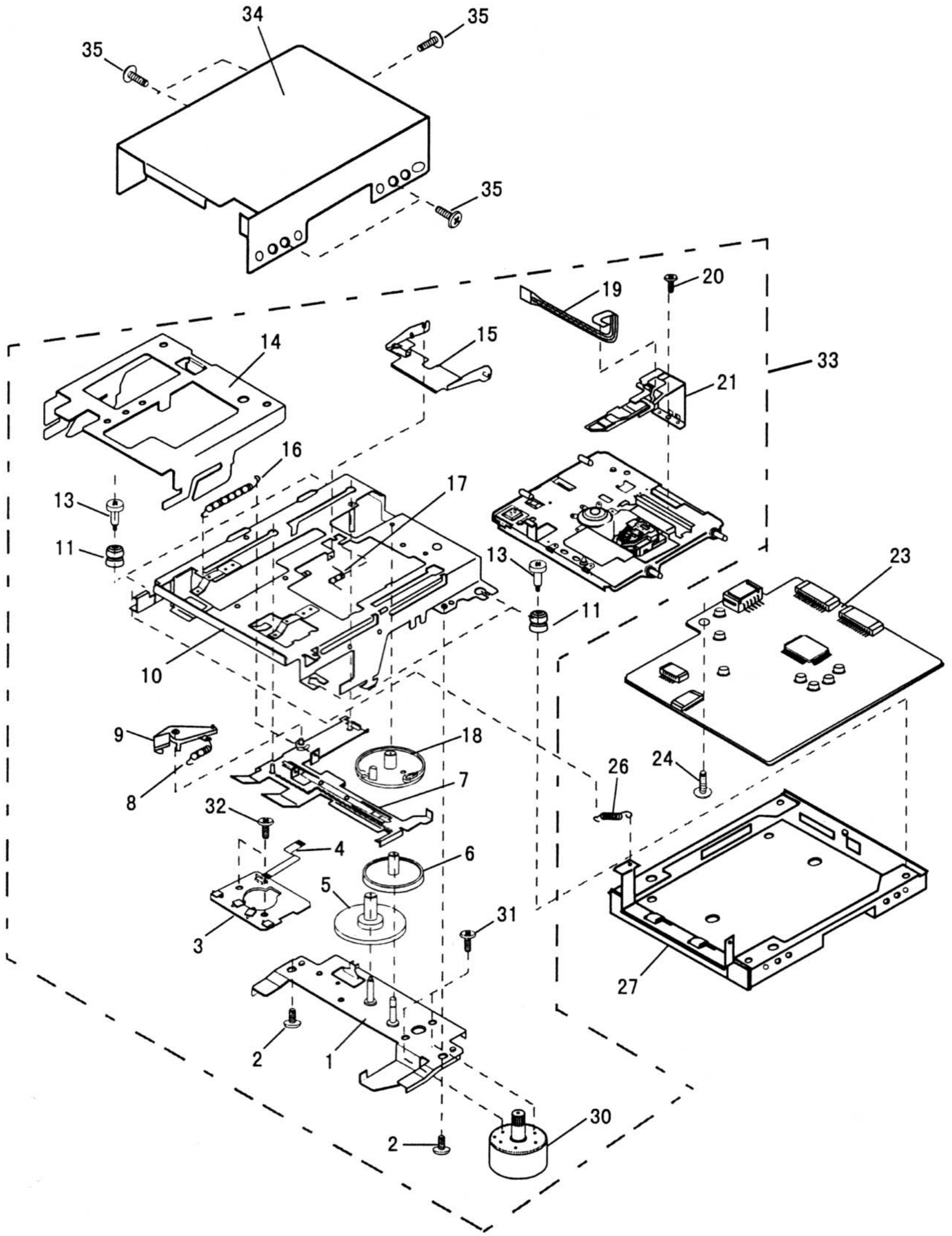


MD MECHANISM EXPLODED VIEW

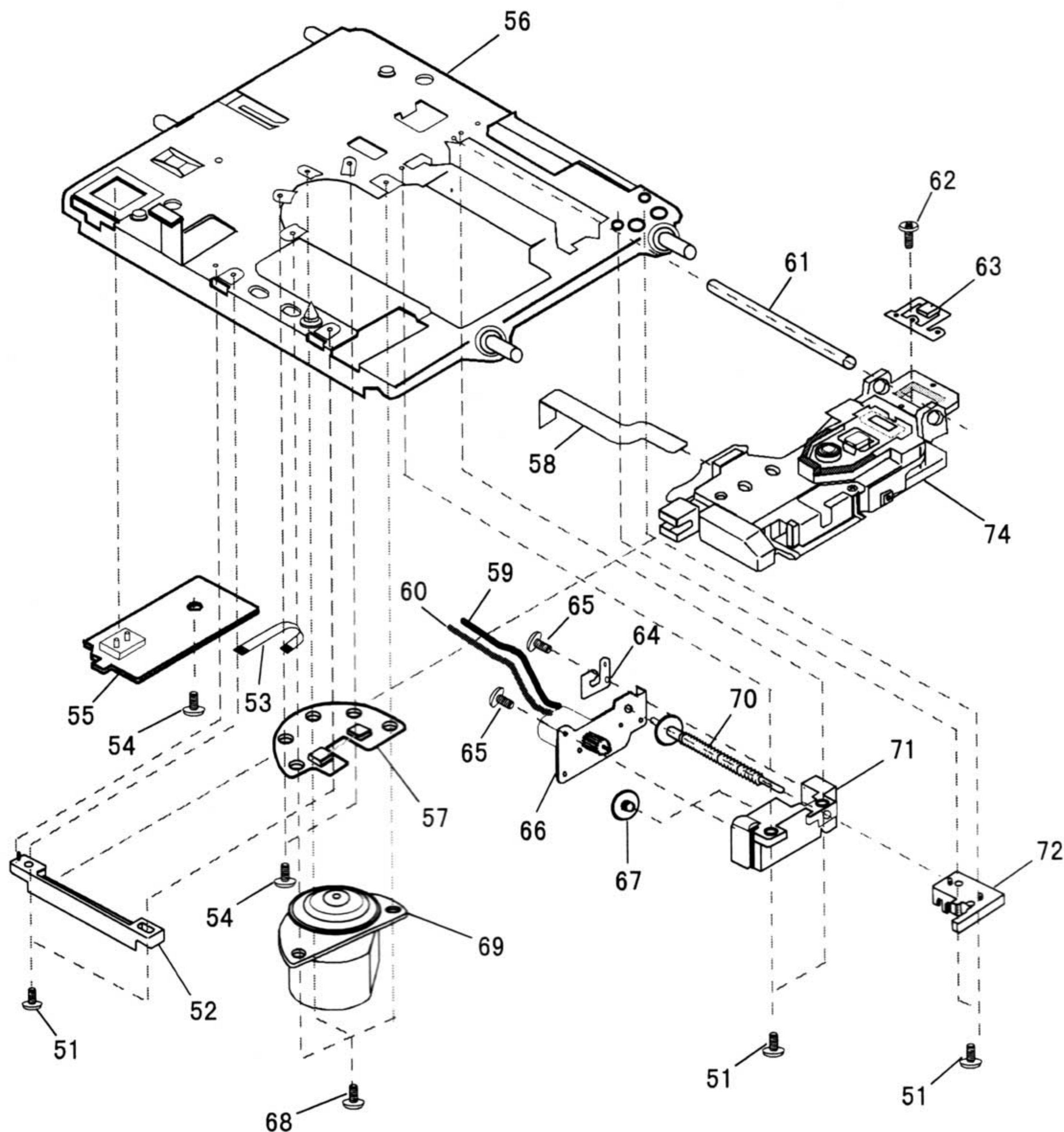


MD MECHANISM EXPLODED VIEW PARTS LIST

NSP: No Spare parts

REF. No.	PART No.	DESCRIPTION	NOTE	REF. No.	PART No.	DESCRIPTION	NOTE
1	X2646-247-2	Motor Plate ass'y	NSP	17	1669-181-11	Head flexible pc board	
2	7685-790-09	Screw(+PTT2.6×4 Type S)		18	2627-529-01	Screw (+P1.7×2.5)	
3	1668-261-11	L-SW pc board	NSP	19	1669-181-11	Head flexible pc board	
4	1783-386-11	Flexible flat cable(6 core)		20	2627-529-01	Screw (+P1.7×2.5)	
5	2646-555-02	Gear(Relay B)		21	1500-518-11	MD Over light head	
6	2646-554-11	Gear(Relay A)		23	A4617-020-B	MD mount	NSP
7	X2646-249-1	Slot Frame ass'y		24	7685-791-09	Screw (+PTT2.6×5 Type S)	
8	2646-563-01	Spring(Slot arm), Tension coil		26	2646-545-01	Spring(Door arm), Tension coil	
9	2646-556-01	Slot Arm		27	2647-657-01	Case(Lower)	NSP
10	X2646-248-5	Load Frame ass'y	NSP	30	X2626-328-1	Loading motor ass'y	
11	2646-548-01	Insulator		31	7627-852-38	Special screw(+P1.7×1.8 Type 3)	
13	2647-337-01	Screw, Step		32	7685-780-09	Screw (+TT2×3 Type S)	
14	2646-557-02	Slide Frame	NSP	33	A4912-403-A	Loading ass'y	NSP
15	2646-559-02	Head Arm,		34	2647-619-01	Case(Upper)	NSP
16	2646-561-01	Spring, SP Tension		35	7621-259-25	Screw (+P2.6×4)	

MD MECHANISM EXPLODED VIEW



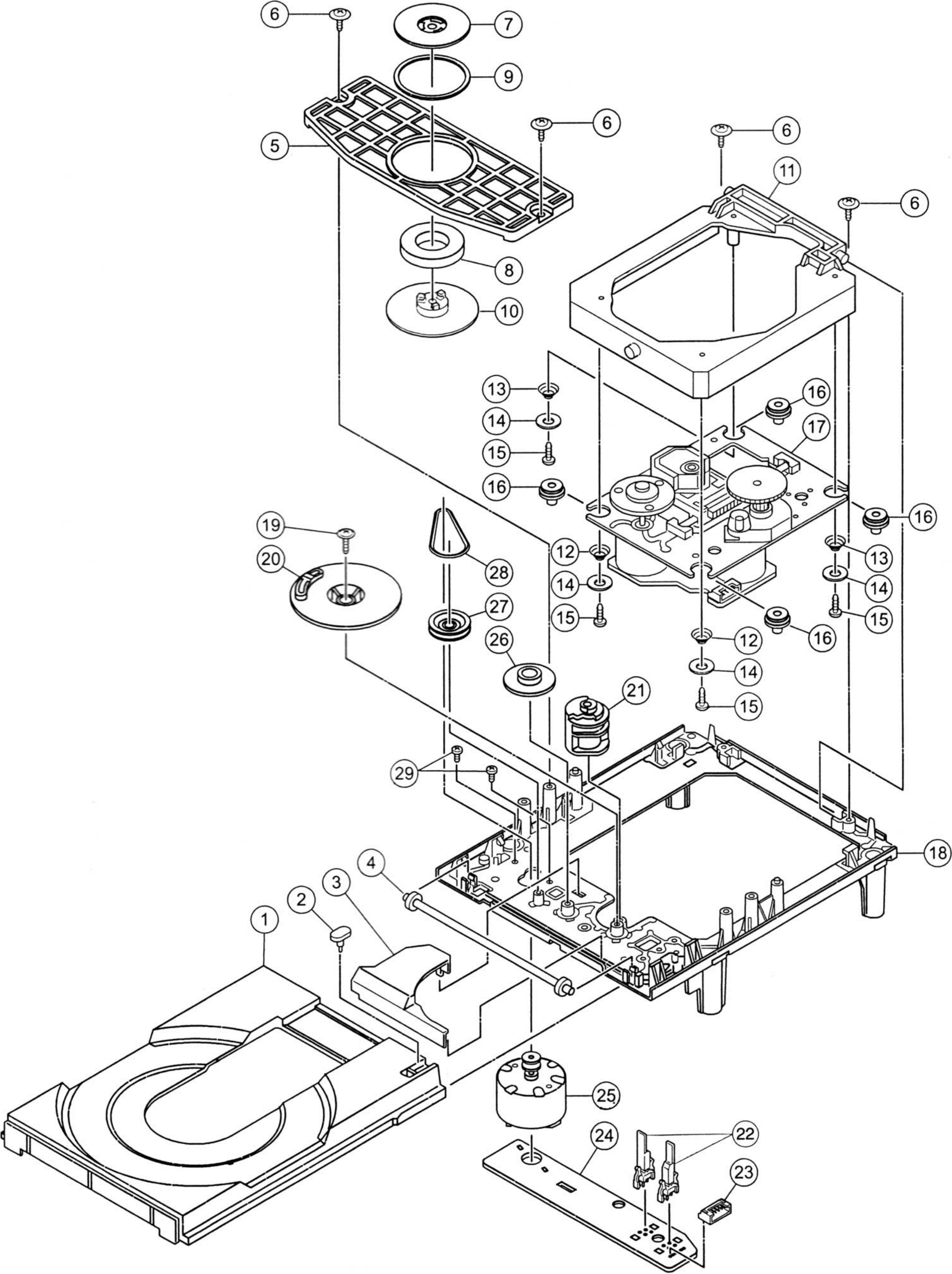
MD MECHANISM EXPLODED VIEW PARTS LIST

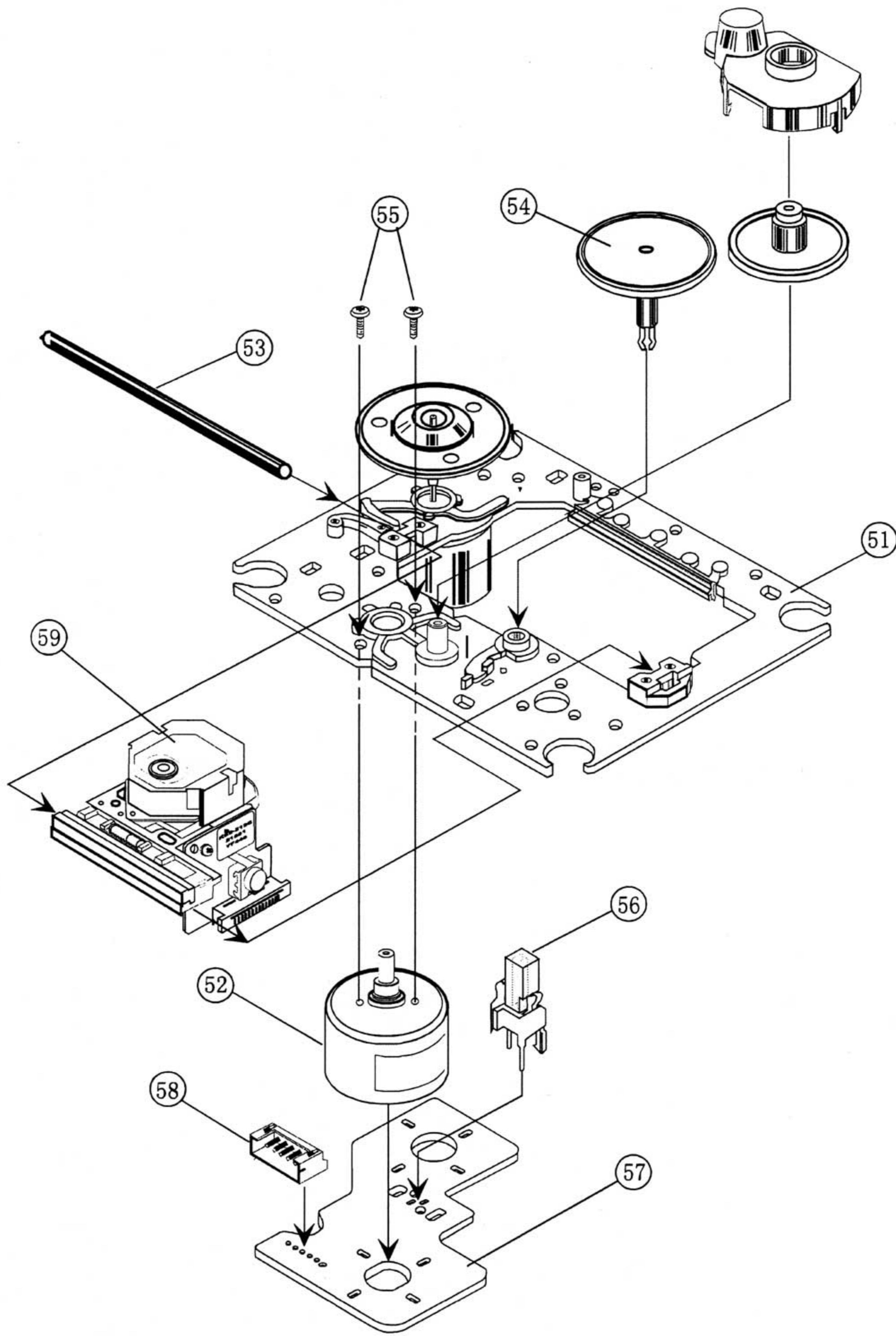
NSP: No Spare parts

REF. No.	PART No.	DESCRIPTION	NOTE
51	2627-404-01	Screw (+P1.4×3.5 Type3)	
52	2646-453-01	Sub Guide)	
53	1783-387-11	Flexible flat cable(7 core)	
54	7627-850-79	Special screw(+P1.4×1.8 Type 3)	
55	1668-262-11	D-SW pc board	NSP
56	2646-575-02	Mechanical Chassis	NSP
57	2646-566-01	Bracket, Spindle motor	
58	1669-180-11	Flexible pc board, Optical pick-up	
61	2646-452-01	Guide Shaft	
62	2627-529-01	Screw (+P1.7×2.5)	
63	2647-338-01	Rack Spring	
64	2646-567-01	Pre road Plate	

REF. No.	PART No.	DESCRIPTION	NOTE
65	2627-431-01	Special screw(1.2×3.3)	
66	X2626-329-2	Slid motor ass'y	
67	2646-571-11	Gear (MD)	
68	7627-852-18	Special screw(+P1.7×4 Type 3)	
69	X2626-327-1	Spindle motor Ass'y	
70	X2626-330-1	Lead screw Ass'y	
71	2646-574-03	Lead holder(A)	
72	2646-573-01	Lead holder(B)	
74	A4672-541-A	KMS-260A/JIN	

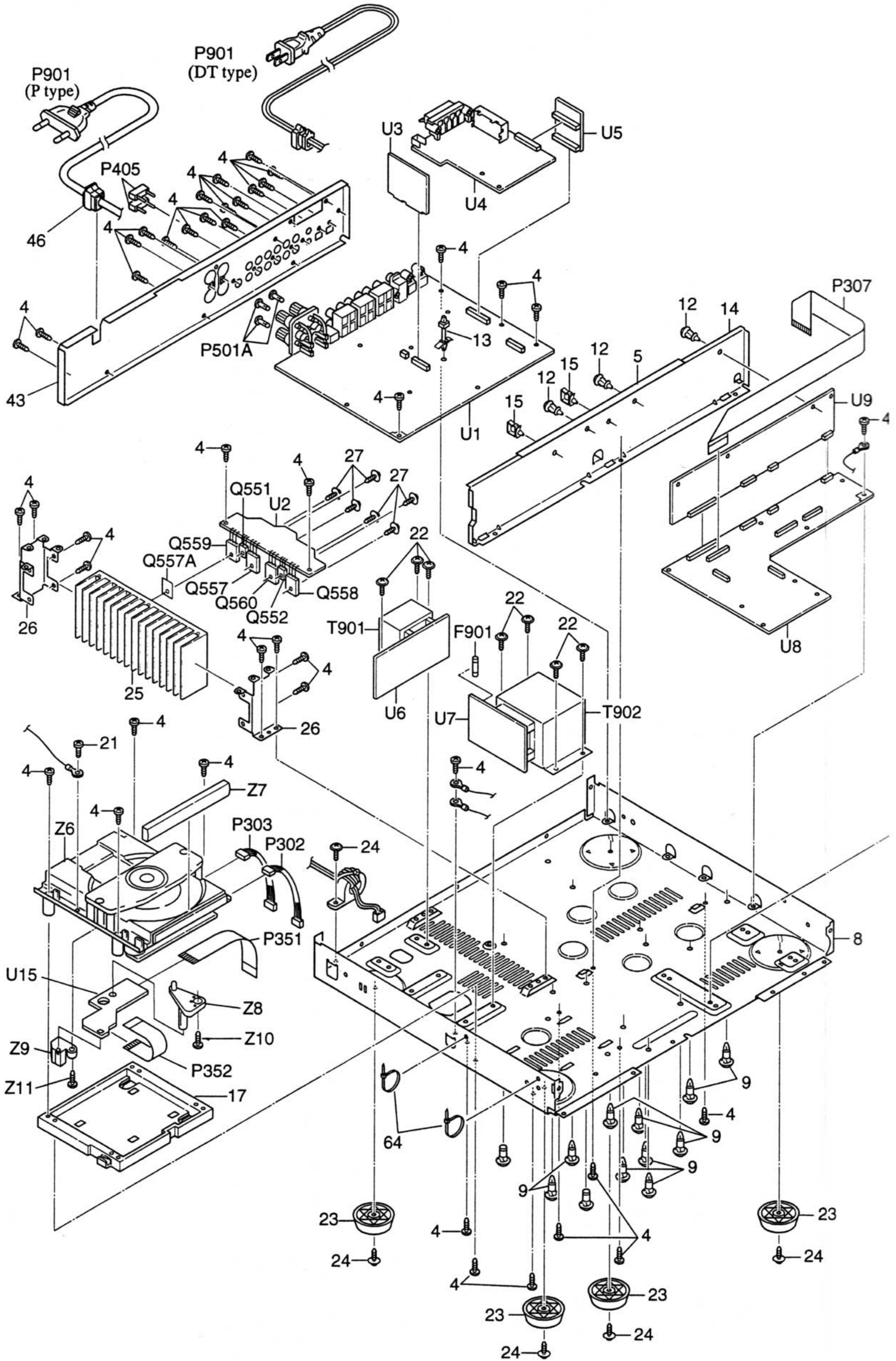
CD MECHANISM EXPLODED VIEW

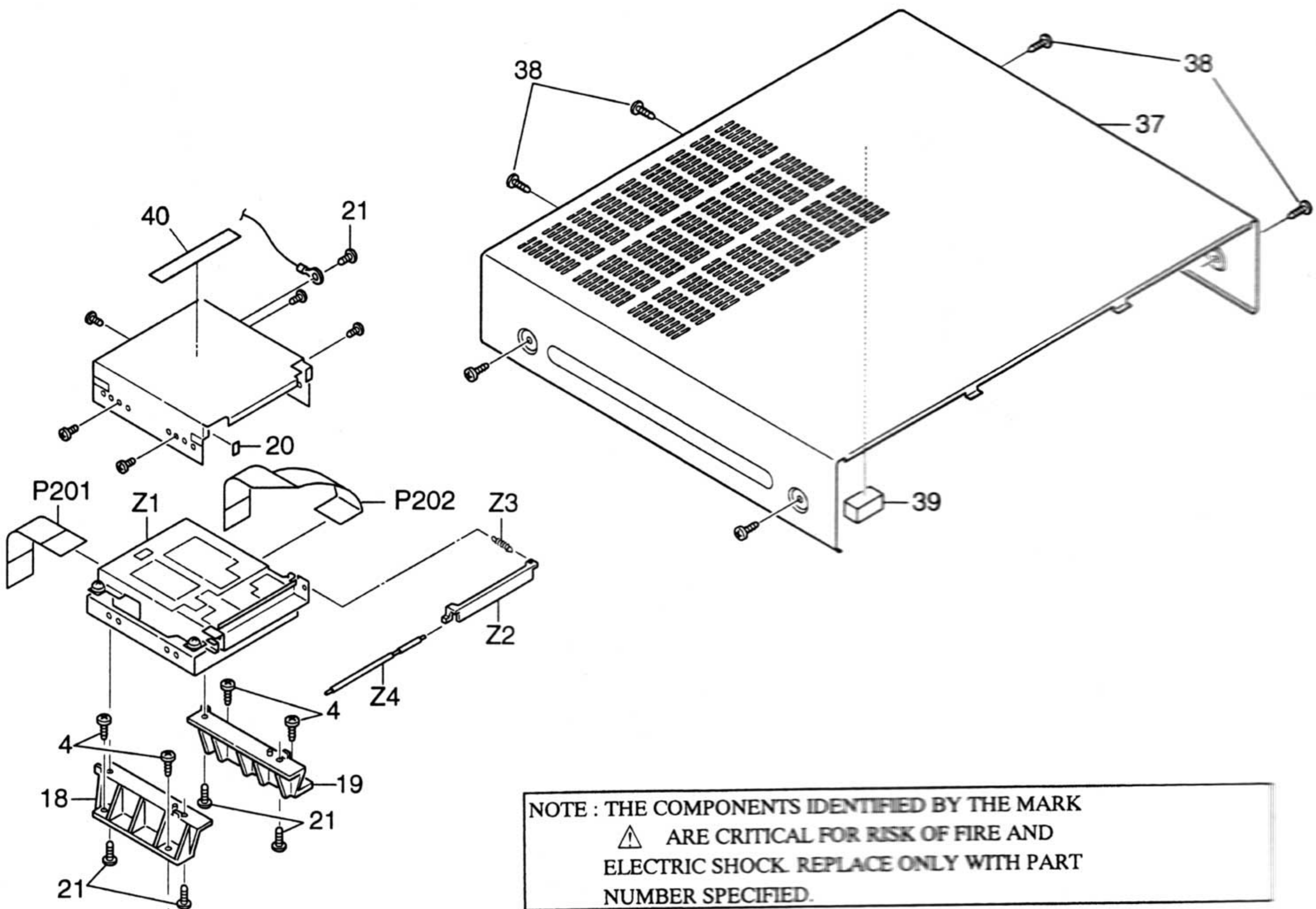





Ref.No.	Part No.	Description	Ref.No.	Part No.	Description	Ref.No.	Part No.	Description
1	2646-290-01	Tray	16	2627-234-01	Insulator	51	X2625-877-1	Motor chassis ass'y
2		Stopper	17		KSM-213CCM, Pickup drive unit	52	X2625-769-1	Motor gear ass'y
3	2625-544-01	Gear cover	18	2625-552-06	Main chassis	53	2626-908-01	Sled shaft
4	2625-535-01	Tray gear	19	3319-501-51	PTPWH2.6x16, Screw	54	2626-907-01	Gear
5	2625-546-01	Chucking plate	20	2625-547-01	Drive Gear	55		P2x3, Screw
6		PTPWH2.6x7,Screw	21	2625-545-04	Control cam	56	1572-085-11	Leaf switch
7	2625-537-01	Chucking yoke	22	1692-667-11	Leaf switch	57	1639-678-12	Motor PC board
8	1452-493-21	Magnet	23	1564-721-11	Socket	58	1564-722-11	Socket
9	2625-541-02	Damper	24	1640-523-11	Loading PC board	59	8848-483-05	KSS-213C, Pickup
10	2646-291-01	Chucking pulley	25	X2625-117-1	Loading motor ass'y			
11	2646-288-01	Sub chassis	26	2625-274-02	Midway gear			
12	2627-236-01	Coil spring (front)	27	2625-536-02	Loading pulley			
13	2627-235-01	Coil spring (back)	28	3653-387-00	LM belt			
14	2646-289-01	Washer	29		B2.6x2.5, Screw			
15		P2.6x10, Screw						

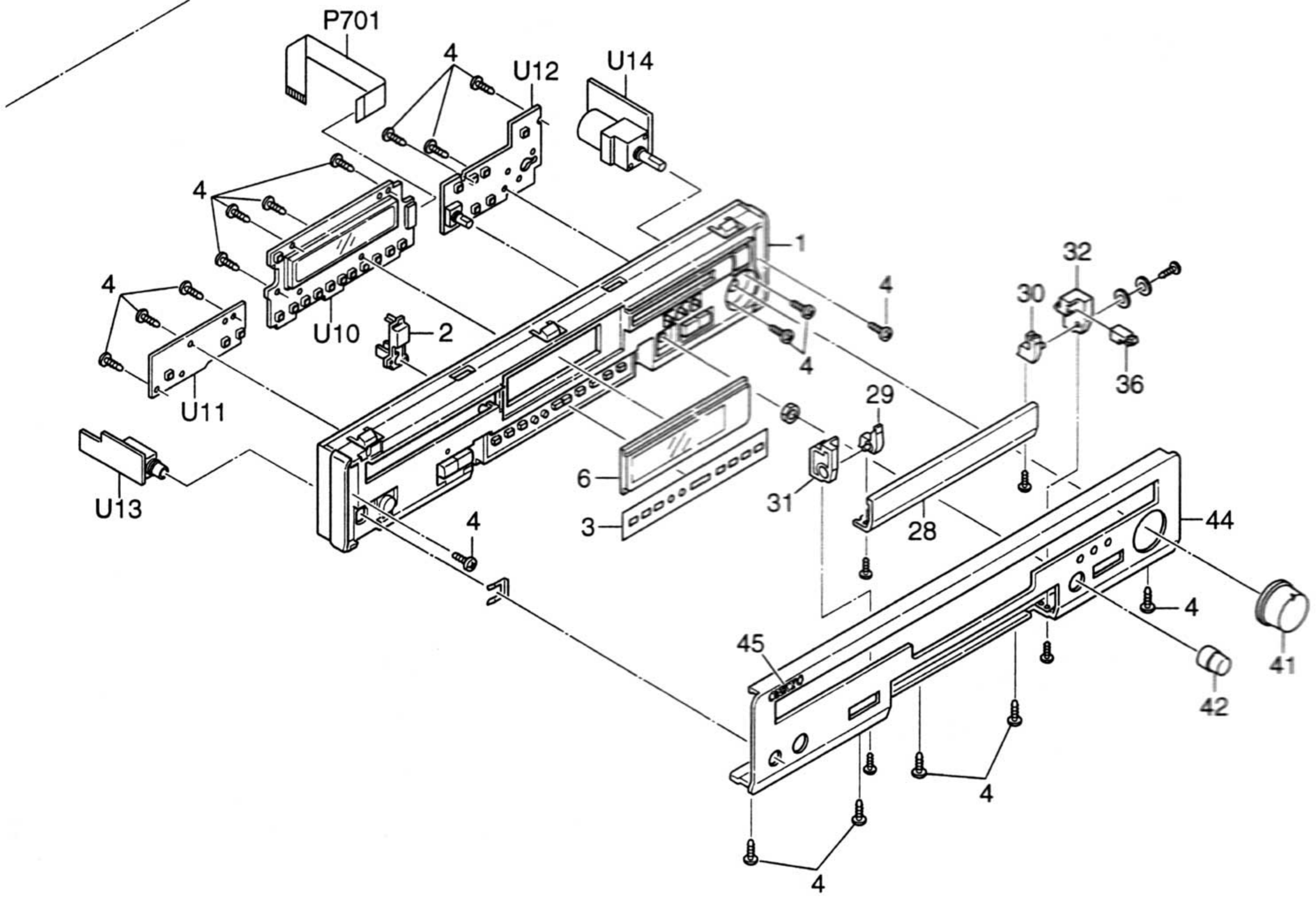
CHASSIS-EXPLODED VIEW





NOTE : THE COMPONENTS IDENTIFIED BY THE MARK  ARE CRITICAL FOR RISK OF FIRE AND ELECTRIC SHOCK. REPLACE ONLY WITH PART NUMBER SPECIFIED.

NOTE : <P> : European model only
<DT> : Taiwanese model only



CHASSIS-EXPLODED VIEW PARTS LIST

REF.NO.	PART NO.	DESCRIPTION	REF.NO.	PART NO.	DESCRIPTION
1	27111114A	Front bracket	Q557A-560A	223024Y	AC238,Isolated plate
2	28325659	Knob, CD	T901	2301396	△ NPT-1363P, Power transformer<P>
3	27262637	Plate D		2301433	△ NPT-1363D, Power transformer<DT>
4	838130088	3TTB+8B, Self-tapping screw	T902	2301398	△ NPT-1364P, Power transformer<P>
5	28140837	Cushion		2301434	△ NPT-1364D, Power transformer<DT>
6	28191849A	Clear plate	U1	1A828535-1B	NAAF-6535-1B
8	27100372B	Chassis		1A828535-1C	Main circuit PC board ass'y <P>
9	27190266	KGLS-12RF,Holder			NAAF-6535-1C
10	27190965	Holder			Main circuit PC board ass'y <DT>
12	27190503A	KGLS-8RF,Holder	U2	1A828536-1B	NAAF-6536-1B
13	27190470	KGLS-18S,Holder			Power amplifier PC board ass'y <P>
14	27130823	Bracket, Shield		1A828536-1C	NAAF-6536-1C
15	27190876	LWS-2Y,Holder			Power amplifier PC board ass'y <DT>
16	28141193	Cushion	U4	1A828538-1B	NARF-6538-1B
17	27191080	Holder CD			Tuner circuit PC board ass'y <P>
18	27191078A	Holder ML		1A828538-1C	NARF-6538-1C
19	27191079	Holder MR			Tuner circuit PC board ass'y <DT>
20	28175254	Isolated plate	U5	1A828539-1B	NAETC-6539-1B,
21	838430107	3TTB+10S(BC),Self-tapping screw			Connector PC board ass'y <P>
22	830440089	4TTC+8C(BC),Self-tapping screw		1A828539-1C	NAETC-6539-1C,
23	27175380A	Leg			Connector PC board ass'y <DT>
24	831430088	3TTW+8B(BC),Self-tapping screw	U6	1A828540-1B	NAPS-6540-1B,
25	27160443	Heat sink			Power supply PC board ass'y <P>
26	27141739	Retainer H		1A828540-1C	NAPS-6540-1C,
27	801433	3SMS8W.SW+14B(BC),Special screw			Power supply PC board ass'y <DT>
28	28148407	Door	U7	1A828541-1B	NAPS-6541-1B
29	28180142B	Hinge L			Power supply PC board ass'y <P>
30	28180143B	Hinge R		1A828541-1C	NAPS-6541-1C
31	27191076B	Holder DL			Power supply PC board ass'y <DT>
32	27191077B	Holder DR	U8	1A828542-1B	NADG-6542-1B,
33	87642607	W2.6*7F(BC),Flat washer			CD & microprocessor PC board ass'y <P>
34	870148	WW-4,Wave washer		1A828542-1C	NADG-6542-1C,
35	838426088	2,6TTB+8B(BC), Self-tapping screw			CD & microprocessor PC board ass'y <DT>
36	27230025	Push latch	U9	1A828543-1B	NADG-6543-1B,
37	28184755	Top cover			DA converter PC board ass'y <P>
38	838230088	3TTB+8B(NI),Nickel screw		1A828543-1C	NADG-6543-1C,
39	28141254	Cushion			DA converter PC board ass'y <DT>
40	28141333	Cushion	U10	1A828544-1B	NADIS-6544-1B
41	28325662	Knob, Volume			Display circuit PC board ass'y <P>
42	28325160A	Knob, AMCS		1A828544-1C	NADIS-6544-1C
43	27122587	Rear panel <P>			Display circuit PC board ass'y <DT>
	27122663	Rear panel <DT>	U11	1A828545-1B	NASW-6545-1B
44	27212102	Front panel			Operation switch PC board ass'y <P>
45	28135245	Badge		1A828545-1C	NASW-6545-1C
46	27300750	△ Bushing,coad			Operation switch PC board ass'y <DT>
47	27190540-1	Holder, Clamp	U12	1A828546-1B	NASW-6546-1B
48	27301394	HL-18-0,Clamp			Operation switch PC board ass'y <P>
49	29362285	Label		1A828546-1C	NASW-6546-1C
50	28175256	Isolated plate <DT>			Operation switch PC board ass'y <DT>
51	28175257	Isolated plate <DT>	U13	1A828547-1B	NAETC-6547-1B
64	260208	Wire tie			Headphone jack PC board ass'y <P>
F901	252070	△ 1A-SE-EAK ,Fuse<P>		1A828547-1C	NAETC-6547-1C
	252148	△ 2A-TSC,Fuse<DT>			Headphone jack PC board ass'y <DT>
P201	2045261022	NCFC5-261022,Flexible cable	U14	1A828548-1B	NAETC-6548-1B
P202	2044230072	NCFC5-230072,Flexible cable			Master volume PC board ass'y <P>
P302	2009990500	NSAS-10P0654,Socket		1A828548-1C	NAETC-6548-1C
P303	20022391210	NSAS-12P0723,Socket			Master volume PC board ass'y <DT>
P307	2047193512	NCFC7-193512,Flexible cable	U15	1A828549-1B	NAETC-6549-1B
P351	2047161012	NCFC7-161012,Flexible cable			Connector PC board ass'y <P>
P352	2042161012	NCFC2-161012,Flexible cable		1A828549-1C	NAETC-6549-1C
P405	25055436	NPLG-2P418.Plug			Connector PC board ass'y <DT>
P501A	880009	NRP-345,Plastic rivet	Z1	24650031A	KMK-260BBAO, MD mechanism
P701	2045191512	NCFC5-191512,Flexible cable	Z2	24611655A	Door
P901	253237HIT	△ AS-CEE,Power supply cord <P>	Z3	24605828	Spring
	253294HDK	△ AS-UC-2#18 Power supply cord <DT>	Z4	24604139	Shaft
Q551,Q552	2212653 or 2212654	2SC3421-O or 2SC3421-Y Transistor	Z5	838430107	3TTB+10S(BC),Self-tapping screw
Q557,Q558	2202373 or 2202374 or 2202375 or 2202923 or 2202922	* 2SC4466-O or * 2SC4466-Y or * 2SC4466-P or * 2SC5196-O or * 2SC5196-R,Transistor	Z6	24800018A	NCD-170S, CD mechanism
Q559,Q560	2202363 or 2202364 or 2202365 or 2202913 or 2202912	* 2SA1693-O or * 2SA1693-Y or * 2SA1693-P or * 2SA1939-O or * 2SA1939-R,Transistor	Z7	28148405A	Door CD
			Z8	24840133	Boss PCB
			Z9	24840135	Boss PCB3
			Z10	838120080	2TTB+8P,Self-tapping screw
			Z11	838426088	2.6TTB+8B(BC),Self-tapping screw
			Z12	838430107	3TTB+10S(BC), Self-tapping screw
			Z13	838130088	3TTB+8B, Self-tapping screw

PRINTED CIRCUIT BOARD PARTS LIST

MAIN CIRCUIT PC BOARD(NAAF-6535-1B/1C)

CIRCUIT NO.	PART NO.	DESCRIPTION	CIRCUIT NO.	PART NO.	DESCRIPTION
	ICs			Coils	
Q401	22241072	TC9273N-007	L501,L502	231176S	S-1.3C
Q402,Q403	22240191	NJM4565D-D		Capacitors	
Q405	22240191	NJM4565D-D	C431,C432	354742209	22 μ F,16V,Elect.
Q901	222780125JRC, 222780125MAT or 222780125NEC	NJM78M12FA, AN78M12F or MPC78M12HF	C441,C442	354742209	22 μ F,16V,Elect.
Q903	222790125JRC, 222790125MAT or 222790125NEC	NJM79M12FA, AN79M12F or MPC79M12HF	C449,C450	354742209	22 μ F,16V,Elect.
Q904,Q951	222780054JRC, 222780054MAT or 222780054NEC	NJM7805FA 7805F or MPC7805HF	C451~C454	354781599	0.15 μ F,50V,Elect.
	Photo couplers		C473,C474	354784709	47 μ F,50V,Elect.
Q212	24120037	TORX178A	C496,C497	374721044	0.1 μ F \pm 5%,50V,Plastic
Q213	24120031	TOTX178A	C501,C502	393341007	10 μ F,16V,Elect.
	Transistors		C507~C510	393381017	100 μ F,50V,Elect.
Q441,Q442	2213631 or 2213632	RN1241-A or RN1241-B	C511,C512	393322217	220 μ F,6.3V,Elect.
Q462,Q467	2213090	DTA114YS	C539,C540	354744709	47 μ F,16V,Elect.
Q463,Q464	221299	DTC114TS	C547,C548	374721034	0.01 μ F \pm 5%,50V,Plastic
Q481,Q482	2213631 or 2213632	RN1241-A or RN1241-B	C549	393322217	220 μ F,6.3V,Elect.
Q501~Q504	2211733	2SC1845-E	C550	393380107	1 μ F,50V,Elect.
Q505~Q508	2213284 or 2213285	2SC1740S-R or 2SC1740S-S	C555,C556	374734734	0.047 μ F \pm 5%,100V,Plastic
Q509~Q514	2211354	2SA949-Y	C557,C558	374724724	4700pF \pm 5%,50V,Plastic
Q515,Q516	2211634	2SC2229-Y	C591,C918	354721019	100 μ F,6.3V,Elect.
Q517,Q518	2213284 or 2213285	2SC1740S-R or 2SC1740S-S	C592	354780339	3.3 μ F,50V,Elect.
Q522,Q524	2213640	DTC123JS	C903,C904	374721044	0.1 μ F \pm 5%,50V,Plastic
Q523	221281 or 2213570	DTC114YS or RN1207	C905,C906	3504207S	6800 μ F,50V,Elect.
Q591	2213354 or 2213355	2SA933S-R or 2SA933S-S	C909,C932	354741009	10 μ F,16V,Elect.
Q592	2213284 or 2213285	2SC1740S-R or 2SC1740S-S	C910,C954	374721044	0.1 μ F \pm 5%,50V,Plastic
Q593	2213090 or 2213590	DTA114YS or RN2207	C912	354764709	47 μ F,35V,Elect.
Q902	2211455	2SA1015-GR	C917	354724719	470 μ F,6.3V,Elect.
Q953	221281 or 2213570	DTC114YS or RN1207	C922	393382217	220 μ F,50V,Elect.
Q957	2202705 or 2202706	2SD2394-E or 2SD2394-F	C941,C942	354741019	100 μ F,16V,Elect.
Q958	2212855	2SB1068-U	C952	354754729S	4700 μ F,25V,Elect.
	Diodes		C961	354741009	10 μ F,16V,Elect.
D501,D504	223163 or 223205	1SS133 or 1SS270A		Resistors	
D591 ,D611	223163 or 223205	1SS133 or 1SS270A	R515~R518	443528204	82 Ω \pm 5%,1/2W,Metal oxide
D901	22380038	RBV602	R519,R520	443526804	68 Ω \pm 5%,1/2W,Metal oxide
D917	22380035 or 22380260	GP104003E or RL1N4003	R521,R522	443528204	82 Ω \pm 5%,1/2W,Metal oxide
D918	224472704	MTZJ27D	R571,R572	453530824	8.2 Ω \pm 5%,1/2W,Metal
D920	224470512	MTZJ5.1B	R581~R584	443522714	270 Ω \pm 5%,1/2W,Metal oxide
D923	223163 or 223205	1SS133 or 1SS270A	R585,R586	443522204	22 Ω \pm 5%,1/2W,Metal oxide
D941,D942	224470512	MTZJ5.1B	R587,R588	5210259	N06HR2KBC,Trimming
D951~D954	22380035 or 22380260	GP104003E or RL1N4003	R589,R590	443522204	22 Ω \pm 5%,1/2W,Metal oxide
D956,D957	223163 or 223205	1SS133 or 1SS270A	R901,R902	443621804	18 Ω \pm 5%,1W,Metal oxide
D958	224472404	MTZJ24D	R921	453530224	2.2 Ω \pm 5%,1/2W,Metal
			R922	443522204	22 Ω \pm 5%,1/2W,Metal oxide
			R936	443622214	220 Ω \pm 5%,1W,Metal oxide
				Relay	
			RL501	25065517 or 25065563	NRL-2P5A-DC24-098 or NRL-2P5A-DC24-129
				Terminals	
			P206	25045330 or 25045481	NPJ-2PDBL299 or NPJ-1PDBL382
			P401,P402	25045303 or 25045575	NPJ-4PDBL162 or NPJ-4PDRW389
			P405	25045575 or 25045303	NPJ-4PDRW389 or NPJ-2PDBL184
			P406	25045567	NPJ-4PDRW389
			P501	25060147	NTM-4PDMN075
				Socket	
			JL503B, JL504	25050270	NSCT-6P98
			JL901B	25050270	NSCT-6P98
			JL902B	25050267	NSCT-3P95
			P307B	25050698 or 25050851 or 25051285 or 25052215	NSCT-19P502 or NSCT-19P646 or NSCT-19P1074 or NSCT-19P2112
			P409B	25051230	NSCT-5P1020

CIRCUIT NO.	PART NO.	DESCRIPTION	CIRCUIT NO.	PART NO.	DESCRIPTION
	Plugs			Socket	
JL502B	25055626	NPLG-5P588	P408B	25051237	NSCT-12P1027
JL905B	25055624	NPLG-3P586		Plug	
P203A	25055441	NPLG-3P423	P409A	25055701	NPLG-5P657
P204A	25055447	NPLG-9P429			
P308A	25055443	NPLG-5P425			
P404A	25055449	NPLG-11P431			
P407A	25055805	NPLG-16P761			
P408A	25055708	NPLG-12P664			
P505A	25055147	NPLG-3P131			
P911A	25055142	NPLG-12P126			
	Heat sinks				
D901A	27160455	RAD-127			
Q901A,Q904A	27160444	RAD-121			
Q951A	27160445	RAD-122			
	Screws				
D901B	801433	3SMS8W.SW+14B(BC),Special			
D901C	838130088	3TTB+8B			
Q901B,Q904B	838430107	3TTB+10S(BC)			
Q951B	838430107	3TTB+10S(BC)			
POWER AMPLIFIER CIRCUIT PC BOARD(NAAF-6536-1B/1C)			TUNER CIRCUIT PC BOARD(NARF-6538-1B/1C)		
CIRCUIT NO.	PART NO.	DESCRIPTION	CIRCUIT NO.	PART NO.	DESCRIPTION
	Transistors			Front end	
Q553,Q554	2212653 or 2212654	2SC3421-O or 2SC3421-Y	TU001	240102	FE417-G02
Q555,Q556	2212643 or 2212644	2SA1358-O or 2SA1358-Y		ICs	
Q561,Q562	2211733	2SC1845-E	Q103	22241259	BA1450S
Q563,Q564	2213284 or 2213285	2SC1740S-R or 2SC1740S-S	Q131	22241076	LM7001J
Q565	2213090 or 2213590	DTA114YS or RN2207	Q161	22240191	NJM4565D-D
Q567,Q568	2211634	2SC2229-Y		Transistors	
Q569,Q570	2211354	2SA949-Y	Q101	2211723	2SC1923-O
	Diode		Q102	2210746	2SC945A-P
D503	224470512	MTZJ5.1B	Q132	2212445	2SK365-GR
	Capacitors		Q133,Q191	2213284	2SC1740S-R
C531,C532	393341007	10 μ F,16V,Elect.	Q134,Q162	2213510	DTA114ES
C553,C554	393341007	10 μ F,16V,Elect.	Q163,Q164	2212794	2SD1468-R
	Resistors			Diodes	
R565,R566	443528204	82 Ω \pm 5%,1/2W,Metal oxide	D101	224470562	MTZJ5.6B
R567,R568	4500027	0.22 Ω \pm 5%*2,2W,Metal plate	D102,D131	223163 or 223205	1SS133 or 1SS270A
	Sockets		D191,D192	223163 or 223205	1SS133 or 1SS270A
JL503A,JL504A	25051110	NSCT-6P897		Coils	
P505	2002390620	NSAS-6P0665	L101	233527 or 233529	NFIF-4118 [or NFIF-4119
	Plugs		L102	233383	NMC-6070
P523	25055689	NPLG-2P645	L161,L162	233484	NMC-4085
P524	25055689	NPLG-2P645		Ceramic filters	
			X101,X102	3010071	SFE-10.7MA5 RED
			X103	3010130	SFE10.7M2ZK
			X131	3010141 or 3010260	XTL-7.2M or HC-49/U03 7.2M
				Capacitors	
			C001,C104	354741019	100 μ F,16V,Elect.
			C106,C107	354780229	2.2 μ F,50V,Elect.
			C108,C141	354782299	0.22 μ F,50V,Elect.
			C109	374724734	0.047 μ F \pm 5%,50V,Plastic
			C110,C138	354741009	10 μ F,16V,Elect.
			C111,C115	354780109	1 μ F,50V,Elect.
			C114	354742209	22 μ F,16V,Elect.
			C117,C136	354721019	100 μ F,6.3V,Elect.
			C139	374723334	0.033 μ F \pm 5%,50V,Plastic
			C140	354780229	2.2 μ F,50V,Elect.
			C161,C162	374721034	0.01 μ F \pm 5%,50V,Plastic
			C163,C164	354742209	22 μ F,16V,Elect.
			C165,C166	354742209	22 μ F,16V,Elect.
			C167,C168	374722724	2700pF \pm 5%,50V,Plastic
			C170	354784799	0.47 μ F,50V,Elect.
				Resistors	
			R101	5210265	N06HR50KBC,Trimming
			R131	443621014	100 Ω \pm 5%,1W,Metal oxide
				Terminal	
			P102	25060231	NTM-1PD153
				Socket	
			P403B	25051527	NSCT-16P1314
				Plug	
			TP101	25055038	NPLG-2P29
				Shield plate	
			TU001A	27150387	(FM)

CONNECTOR PC BOARD(NAETC-6539-1B/1C)

CIRCUIT NO.	PART NO.	DESCRIPTION
P403A	25055805	NPLG-16P761,Plug
P407B	25051527	NSCT-16P1314,Socket

POWER SUPPLY CIRCUIT PC BOARD(NAPS-6540-1B/1C)

CIRCUIT NO.	PART NO.	DESCRIPTION
Transistors		
Q651	2213640	DTC123JS
Diodes		
D955	223163 or 223205	1SS133 or 1SS270A
Coils		
L901	231252	NCH-3489
Capacitors		
C901,C902	3500077	△ DE7150F-472M
C933~C935	374721044	0.1 μ F±5%,50V,Plastic
C943	3500191	DE7150F-103M
Relays		
RL901	25065508 or 25065583	△ NRL-1P10A-DC12-093 or △ NRL-1P5A-DC12-139
Sockets		
JL901A	25051110	NSCT-6P897
JL905A	25051087	NSCT-3P874
Plug		
P901A	25055676	△ NPLG-2P632
Covers		
C901A,C902A	27301216	△ SB1925A

POWER SUPPLY CIRCUIT PC BOARD(NAPS-6541-1B/1C)

CIRCUIT NO.	PART NO.	DESCRIPTION
Socket		
JL902A	25051107	NSCT-3P894
Holder		
F901A	25050065	△ YSH403T
Fuse label		
F901B	29362525	2A/125V <DT>

CD & MICROPROCESSOR

CIRCUIT PC BOARD(NADG-6542-1B/1C)

CIRCUIT NO.	PART NO.	DESCRIPTION
ICs		
Q201	222740005R2TO	TC74HC00AF
Q202	22241356R3	TMP87CH40F-4E50
Q203	222740047R2TO	TC74HCT04AF
Q206	22241172R2	TC7S08FU
Q301	22241093R3	CXA1782BQ
Q302	22241247	LA6541D
Q303	22240239	TA7291S
Q701	22241355R3	MPD780058GC-086-8BT
Q905	22241210	BMR-0101D
Q991	222780055MAT, 222780055NEC or 222780055JRC	AN78M05F, MPC78M05HFor NJM78M05FA
Q992	22278033ENEC	MPC29M33HF
Q993	222780053JRC	NJM78L05A
Transistors		
Q204,Q205	2213090 or 2213590	DTA114YS or RN2207
Q304,Q310	2211504	2SA950-Y
Q305,Q306	2212600 or 2213580	DTA124ES or RN2203
Q311	2213160 or 2214220	DTC124ES or RN1203
Q312	2212853 or 2212855	2SB1068-K or 2SB1068-U

CIRCUIT NO.	PART NO.	DESCRIPTION
Transistors		
Q702,Q704	2212600 or 2213580	DTA124ES or RN2203
Q703	221282 or 2213560	DTC144ES or RN1204
Diodes		
D301	223234R2	1SS352
D701,D703	223234R2	1SS352
D702	224490560R2	UDZ5.6B
D704,D705	22380035 or 22380260	GP104003E or RL1N4003
D706	223234R2	1SS352
D710	22380035 or 22380260	GP104003E or RL1N4003
D750	224490560R2	UDZ5.6B
Coils		
L301	231237K100R2	NCH-1475
L701	231237K220R2	NCH-1477
Resonator		
X201	3010190	CST8.00MTW
Crystal		
X701	3010312	HC-49/U03 5MHz
Capacitors		
C206	374721054	1 μ F±5%,50V,Plastic
C301,C302	354721019	100 μ F,6.3V,Elect.
C304,C305	374721034	0.01 μ F±5%,50V,Plastic
C306,C309	374724744	0.47 μ F±5%,50V,Plastic
C307,C324	374722224	2200pF±5%,50V,Plastic
C308	374721024	1000pF±5%,50V,Plastic
C310,C311	374721044	0.1 μ F±5%,50V,Plastic
C312,C318	354780339	3.3 μ F,50V,Elect.
C313	374721044	0.1 μ F±5%,50V,Plastic
C315,C321	374721034	0.01 μ F±5%,50V,Plastic
C317	393363307	33 μ F,35V,Elect.
C320	374723334	0.033 μ F±5%,50V,Plastic
C323,C325	374721034	0.01 μ F±5%,50V,Plastic
C334,C335	354721029	1000 μ F,6.3V,Elect.
C336	354721029	1000 μ F,6.3V,Elect.
C337	354744709	47 μ F,16V,Elect.
C702	3060010	NTC-20P09,Trimmer
C704	354780229	2.2 μ F,50V,Elect.
C707	3000078	DX-5R5L104
C708,C720	354721019	100 μ F,6.3V,Elect.
C721	393384707	47 μ F,50V,Elect.
C928	354780109	1 μ F,50V,Elect.
C991,C992	354722219	220 μ F,6.3V,Elect.
C993	393321027	1000 μ F,6.3V,Elect.
C994	393324717	470 μ F,6.3V,Elect.
Resistors		
R312	5210263	N06HR20KBC,Trimming
R323	5210263	N06HR20KBC,Trimming
Sockets		
P201A	25051984	NSCT-26P1771
P202A	25051981	NSCT-23P1768
P203	2009990546	NSAS-6P0721
P307A	25050698 or 25050851 or 25052215	NSCT-19P502 or NSCT-19P646 or NSCT-19P2112
P351A	25050848 or 25052212	NSCT-16P643 or NSCT-16P2109
P701A	25051977	NSCT-19P1764
P911	2003B192425	NSAS-24P0722

CIRCUIT NO.	PART NO.	DESCRIPTION
	Plugs	
P207	25055702	NPLG-6P658
P208	25055804	NPLG-4P760
P302A	25055149	NPLG-5P133
P303A	25055150	NPLG-6P134
P305	25055038	NPLG-2P29
P308	2009990545A	NSAS-10P0720
P321	25055705	NPLG-9P661
P322	25055712	NPLG-20P668

DA CONVERTER CIRCUIT PC BOARD(NADG-6543-1B/1C)

CIRCUIT NO.	PART NO.	DESCRIPTION
	ICs	
Q181	22241302	BU1923
Q220,Q365	22240191	NJM4565D-D
Q223	222840521TOS	4052B(TC4052BP)
Q351	22241096R3	CXD2507AQ
Q361	22241127R2	CS4327-KS
Q363	22241172R2	TC7S08FU
	Transistors	
Q221,Q222	2211705 or 2211706	2SD655-E or 2SD655-F
Q362	221281 or 2213570	DTC114YS or RN1207
Q453,Q454	2211705 or 2211706	2SD655-E or 2SD655-F
	Diode	
D181	223234R2	1SS352
	Coil	
L361	231237K101R2	NCH-1481
	Crystals	
X351	3010308	HC-49/U0316.9344M
X181	3010321 or 3010203	HC-49/U034.332MHz or AF6146CG
	Capacitors	
C181	354780229	2.2 μ F,50V,Elect.
C183	354721019	100 μ F,6.3V,Elect.
C223,C224	374723924	3900pF \pm 5%,50V,Plastic
C225,C226	374721524	1500pF \pm 5%,50V,Plastic
C227,C228	374723624	3600pF \pm 5%,50V,Plastic
C229,C230	374721824	1800pF \pm 5%,50V,Plastic
C231,C232	374721824	1800pF \pm 5%,50V,Plastic
C233,C234	374724714	470pF \pm 5%,50V,Plastic
C235,C236	393384707	47 μ F,50V,Elect.
C237,C471	374722234	0.022 μ F \pm 5%,50V,Plastic
C240,C241	393344707	47 μ F,16V,Elect.
C351	354784799	0.47 μ F,50V,Elect.
C352	374721034	0.01 μ F \pm 5%,50V,Plastic
C354	374724734	0.047 μ F \pm 5%,50V,Plastic
C355	374721524	1500pF \pm 5%,50V,Plastic
C359	354722219	220 μ F,6.3V,Elect.
C361,C364	393322217	220 μ F,6.3V,Elect.
C365	393381017	100 μ F,50V,Elect.
C381,C382	393382207	22 μ F,50V,Elect.
C383,C384	374722224	2200pF \pm 5%,50V,Plastic
C385,C386	374723924	3900pF \pm 5%,50V,Plastic
C389,C390	393382207	22 μ F,50V,Elect.
	Sockets	
P204	2009990537	NSAS-18P0707
P207A	25051231	NSCT-6P1021
P208A	25051526	NSCT-4P1313
P321A	25051234	NSCT-9P1024
P322A	25051241	NSCT-20P1031
	Plug	
P304	25055045	NPLG-4P33

DISPLAY CIRCUIT PC BOARD(NADIS-6544-1B/1C)

CIRCUIT NO.	PART NO.	DESCRIPTION
	FL tube	
Q750	212191	BJ621GK
	Remote Sensor	
Q752	241329	PIC-26043TH2
	IC	
Q751	22240685R9	M66004FP
	Capacitors	
C755	353780479	4.7 μ F,50V,Elect.
C756	353721019	100 μ F,6.3V,Elect.
	Push switches	
S754~S765	25035652	NPS-111-S604
	Sockets	
P702	200EE290805	NSAS-8P0718
P703	200EE291010	NSAS-10P0719
P701B	25051799A	NSCT-19P1586
	Holder	
Q750A	27191060B	(FL)

OPERATION SWITCH PC BOARD(NASW-6545-1B/1C)

CIRCUIT NO.	PART NO.	DESCRIPTION
	Push switch	
S751~S753	25035652	NPS-111-S604

OPERATION SWITCH PC BOARD(NASW-6546-1B/1C)

CIRCUIT NO.	PART NO.	DESCRIPTION
	Switches	
S766~S771	25035652	NPS-111-S604
	Rotary encoder	
S750	25065507	EC11B15244

HEADPHONE JACK PC BOARD(NAETC-6547-1B/1C)

CIRCUIT NO.	PART NO.	DESCRIPTION
	Core	
L507	230906	BL02RN2-R62
	Socket	
JL502A	25051089	NSCT-5P876
	Terminal	
P502	25045514	YKB26-5005

MASTER VOLUME PC BOARD(NAETC-6548-1B/1C)

CIRCUIT NO.	PART NO.	DESCRIPTION
	IC	
Q710	22240239	TA7291S
	Capacitor	
C710	354744709	47 μ F,16V,Elect.
	Resistor	
R601	5104334Y	N16RGL100KBT25F,Variable
	Socket	
P404	2009990538	NSAS-22P0708

CD CONNECTOR PC BOARD(NAETC-6549-1B/1C)

CIRCUIT NO.	PART NO.	DESCRIPTION
	Socket	
P351B	25050880 or 25052249	NSCT-16P675 or NSCT-16P2146
P352A	25051796A	NSCT-16P1583